

A-Board 32mm

PAVEMENT SIGNS > A BOARDS



Classic A-Board 32 mm

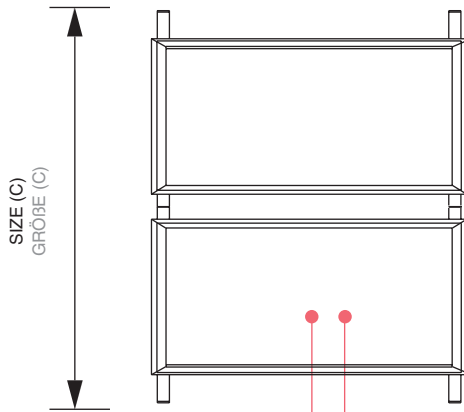
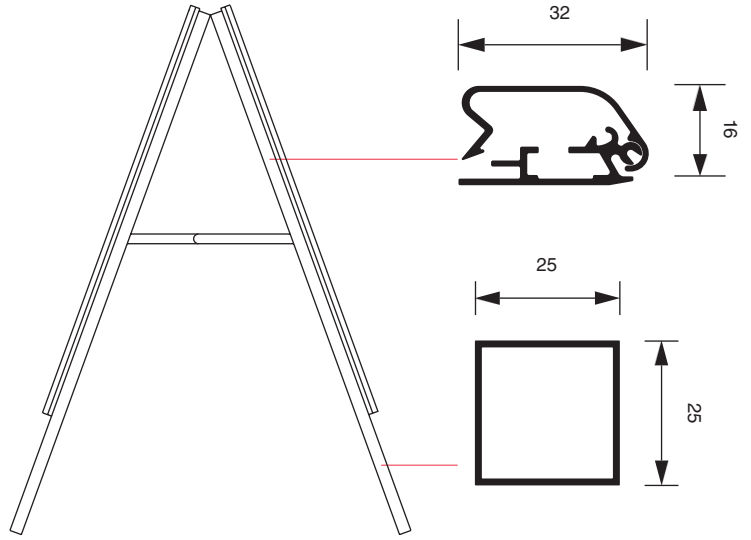
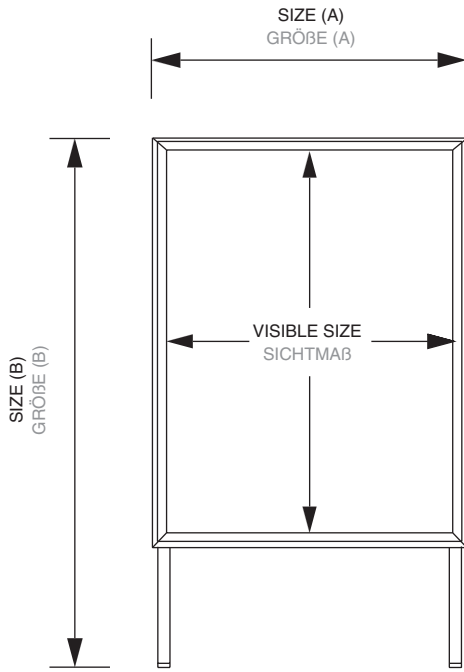
The industry standard A-Board with mitred or round corner 32mm snap frames. Good stability with aluminium legs, metal hinges and stays, shock resistant anti corrosive back walls and UV-stable anti glare front sheets.

Kundenstopper 32 mm

Doppelseitiger Kundenstopper. Ecken Rondo oder auf Gehrung. Sehr stabil mit pressblanken Standprofilen und zwei aufmontierten 32 mm Klapprahmen mit extrem schlagfester, rostfreier Metallrückwand.

A-Board 32mm / mitred corner

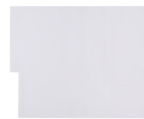
PAVEMENT SIGNS > A BOARDS



ANTI GLARE FRONT 0.5mm
ANTIREFLEXFOLIE 0,5 mm

METAL BACKWALL 0.5mm
METALLRÜCKWAND 0,5 mm

ACCESSORIES ZUBEHÖR



(ZPTOPCARD)
TOPCARD
TOPSCHILD

(ZPHOLDER)
TOPCARD HOLDER
TOPSCHILD-HALTER



(SETZP)
WRITING SET
SCHREIBTAFEL-SET



(TSZP)
SET TOPCARD+WIREFRAME HOLDER
TOPSCHILD UND HALTERUNG - SET

(LHZP)
LEAFLET BASKET
PROSPEKTKORB



A-Board 32mm / mitred corner

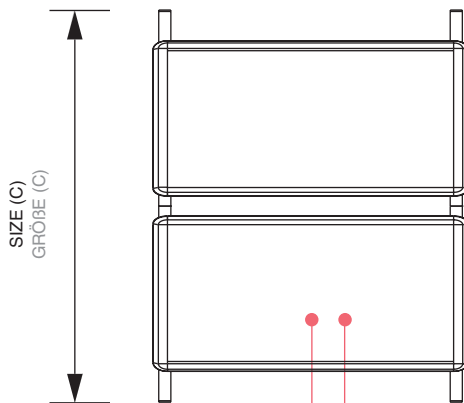
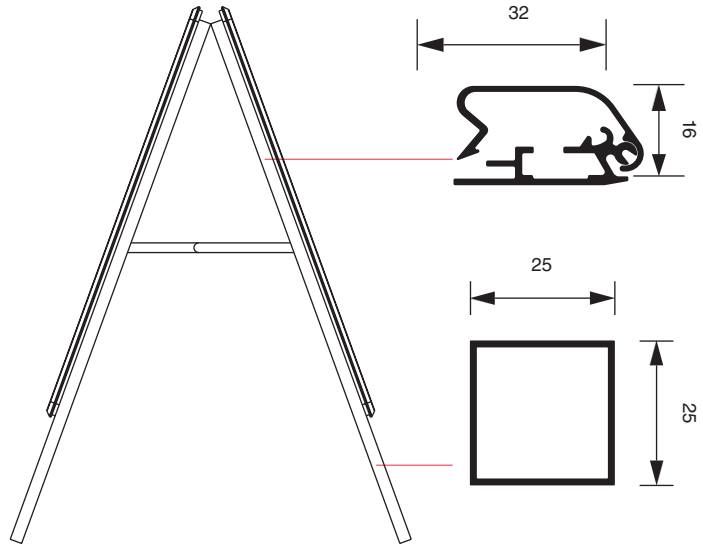
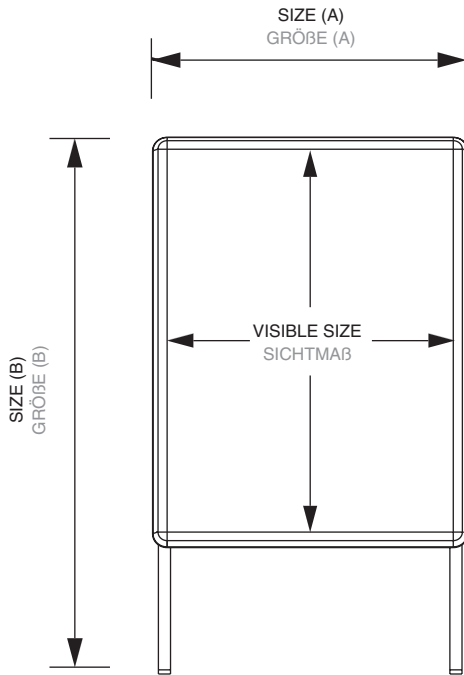
PAVEMENT SIGNS > A BOARDS

ARTICLE CODE	EAN / GTIN	POSTER SIZE	VISIBLE SIZE	SIZE (A x B x C)	NET WEIGHT
ARTIKELCODE	EAN / GTIN	PLAKATFORMAT	SICHTMAß	GRÖßE (A x B x C)	NETTO GEWICHT
ZPA2G32ME	8595578304725	420 x 594 mm (A2)	402 x 576 mm	465 x 999 x 683 mm	5,97 kg
ZPA1G32ME	8595578304732	594 x 841 mm (A1)	576 x 823 mm	639 x 1094 x 744 mm	9,20 kg
ZPA0G32ME	8595578304749	841 x 1189 mm (A0)	823 x 1171 mm	886 x 1380 x 925 mm	15,35 kg
ZP50x70G32ME	8595578304756	500 x 700 mm	482 x 682 mm	545 x 999 x 744 mm	7,22 kg
ZP70x100G32ME	8595578304763	700 x 1000 mm	682 x 982 mm	745 x 1380 x 925 mm	11,93 kg
ZP100x140G32ME	8595578304770	1000 x 1400 mm	982 x 1382 mm	1045 x 1542 x 1028 mm	20,21 kg
ZP508x762G32ME	8595578304787	20" x 30"	490 x 744 mm	553 x 999 x 683 mm	7,63 kg

ARTICLE CODE	PACKING SIZE	PACKING WEIGHT	PCS / PALLET	WEIGHT OF PALLET	VOLUMETRIC WEIGHT	BELT SIZE	SHIPPING
ARTIKELCODE	VERPACKUNGS- GRÖßE	VERSAND- GEWICHT	STCK / PALETTE	PALETTEN- GEWICHT	VOLUMEN- GEWICHT	GURTMAB	VERSANDART
ZPA2G32ME	521 x 1076 x 124 mm	9,04 kg	20	201 kg	13,90 kg	2366 mm	UPS
ZPA1G32ME	695 x 1196 x 124 mm	12,34 kg	20	267 kg	20,61 kg	2834 mm	UPS
ZPA0G32ME	948 x 1495 x 124 mm	19,26 kg	6	136 kg	35,15 kg	3639 mm	TOF
ZP50x70G32ME	601 x 1076 x 124 mm	10,68 kg	20	234 kg	16,04 kg	2526 mm	UPS
ZP70x100G32ME	807 x 1495 x 124 mm	16,42 kg	10	185 kg	29,92 kg	3357 mm	TOF
ZP100x140G32ME	1107 x 1665 x 124 mm	25,05 kg	10	271 kg	45,71 kg	4127 mm	TOF
ZP508x762G32ME	695 x 1196 x 124 mm	11,01 kg	20	241 kg	20,61 kg	2834 mm	UPS

Classic A-Board 32mm / rondo corner

PAVEMENT SIGNS > A BOARDS



ANTI GLARE FRONT 0.5mm
ANTIREFLEXFOLIE 0,5 mm

METAL BACKWALL 0.5mm
METALLRÜCKWAND 0,5 mm

ACCESSORIES ZUBEHÖR



(ZPTOPCARD)
TOPCARD
TOPSCHILD

(ZPHOLDER)
TOPCARD HOLDER
TOPSCHILD-HALTER



(SETZP)
WRITING SET
SCHREIBTAFEL-SET



(TSZP)
SET TOPCARD+WIREFRAME HOLDER
TOPSCHILD UND HALTERUNG - SET

(LHZP)
LEAFLET BASKET
PROSPEKTKORB



Classic A-Board 32mm / rondo corner

PAVEMENT SIGNS > A BOARDS

ARTICLE CODE	EAN / GTIN	POSTER SIZE	VISIBLE SIZE	SIZE (A x B x C)	NET WEIGHT
ARTIKELCODE	EAN / GTIN	PLAKATFORMAT	SICHTMAß	GRÖßE (A x B x C)	NETTO GEWICHT
ZPA2R32ME	8595578304848	420 x 594 mm (A2)	402 x 576 mm	465 x 1025 x 683 mm	5,83 kg
ZPA1R32ME	8595578304855	594 x 841 mm (A1)	576 x 823 mm	639 x 1120 x 744 mm	9,06 kg
ZPA0R32ME	8595578304862	841 x 1189 mm (A0)	823 x 1171 mm	886 x 1406 x 925 mm	15,22 kg
ZP50x70R32ME	8595578304879	500 x 700 mm	482 x 682 mm	545 x 1120 x 744 mm	7,08 kg
ZP70x100R32ME	8595578304886	700 x 1000 mm	682 x 982 mm	745 x 1406 x 925 mm	11,79 kg
ZP100x140R32ME	8595578304893	1000 x 1400 mm	982 x 1382 mm	1045 x 1568 x 1028 mm	20,07 kg
ZP508x762R32ME	8595578304909	20" x 30"	490 x 744 mm	553 x 1025 x 683 mm	7,38 kg

ARTICLE CODE	PACKING SIZE	PACKING WEIGHT	PCS / PALLET	WEIGHT OF PALLET	VOLUMETRIC WEIGHT	BELT SIZE	SHIPPING
ARTIKELCODE	VERPACKUNGS- GRÖßE	VERSAND- GEWICHT	STCK / PALETTE	PALETTEN- GEWICHT	VOLUMEN- GEWICHT	GURTMAB	VERSANDART
ZPA2R32ME	521 x 1076 x 124 mm	8,79 kg	20	196 kg	13,90 kg	2366 mm	UPS
ZPA1R32ME	695 x 1196 x 124 mm	12,08 kg	20	262 kg	20,61 kg	2834 mm	UPS
ZPA0R32ME	948 x 1495 x 124 mm	19,02 kg	6	135 kg	35,15 kg	3639 mm	TOF
ZP50x70R32ME	601 x 1076 x 124 mm	10,43 kg	20	229 kg	16,048 kg	2526 mm	UPS
ZP70x100R32ME	807 x 1495 x 124 mm	16,16 kg	10	182 kg	29,92 kg	3357 mm	TOF
ZP100x140R32ME	1107 x 1665 x 124 mm	24,95 kg	6	170 kg	45,71 kg	4127 mm	TOF
ZP508x762R32ME	695 x 1196 x 124 mm	10,86 kg	20	238 kg	20,61 kg	2834 mm	UPS