

### 32 mm PROFILE A-BOARD

Pavement Signs | A-Boards



### 32 MM PROFILE A-BOARD

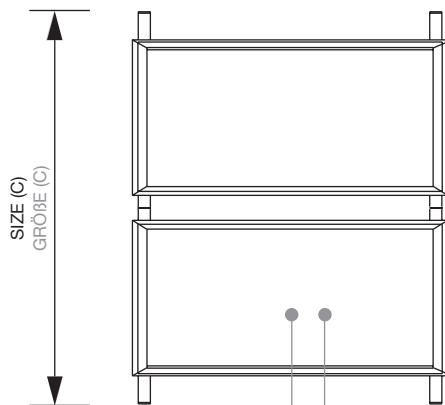
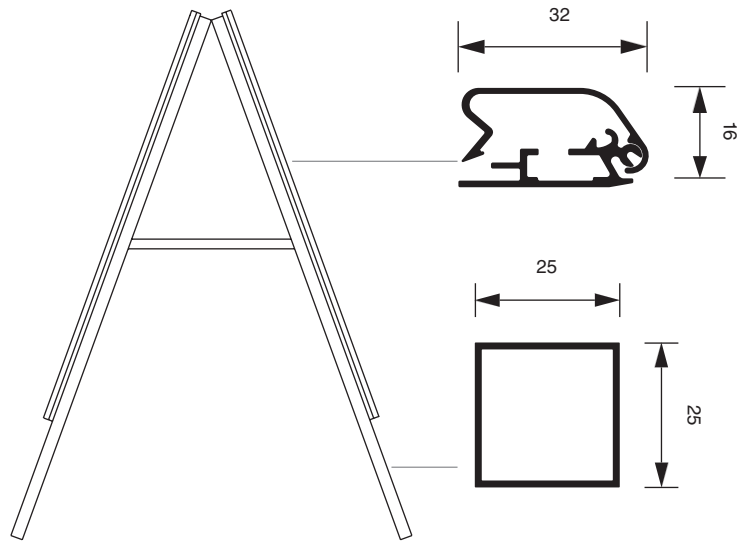
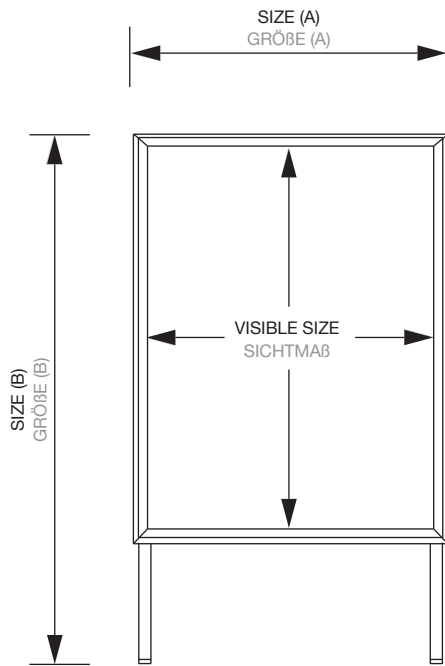
• Best selling outdoor pavement sign • Stable metal back wall • UV resistant anti-glare protection foil

### KUNDENSTOPPER 32 MM

• Bester outdoor Kundenstopper • Stabile Metallrückwand • UV-beständige Blendschutzfolie

**32 mm PROFILE A-BOARD / MITRED CORNER**

Pavement Signs | A-Boards



ANTI GLARE FRONT 0.5mm  
ANTIREFLEXFOLIE 0,5 mm

METAL BACKWALL 0.5mm  
METALLRÜCKWAND 0,5 mm

**ACCESSORIES  
ZUBEHÖR**



## 32 mm PROFILE A-BOARD / MITRED CORNER

Pavement Signs | A-Boards

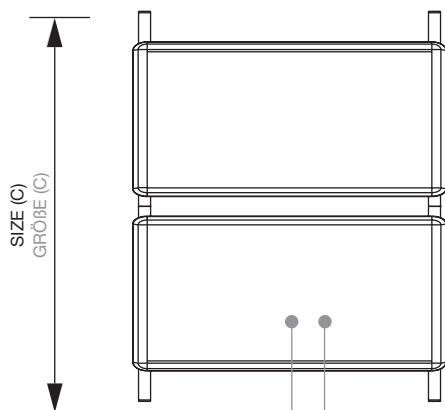
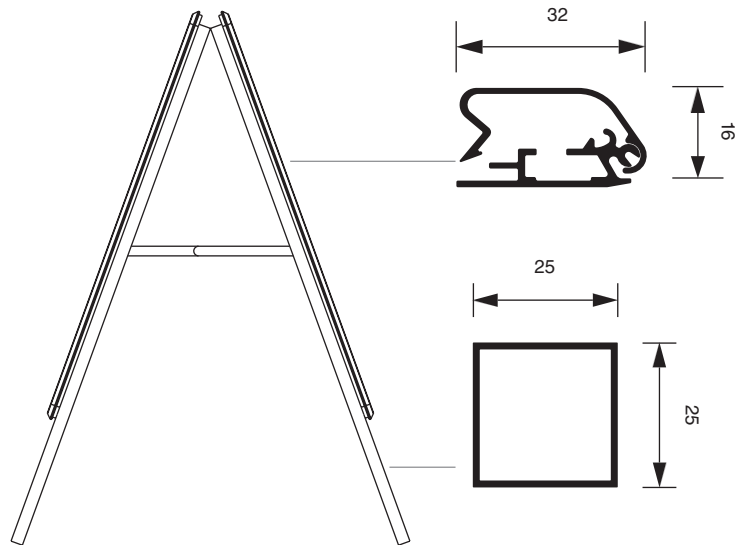
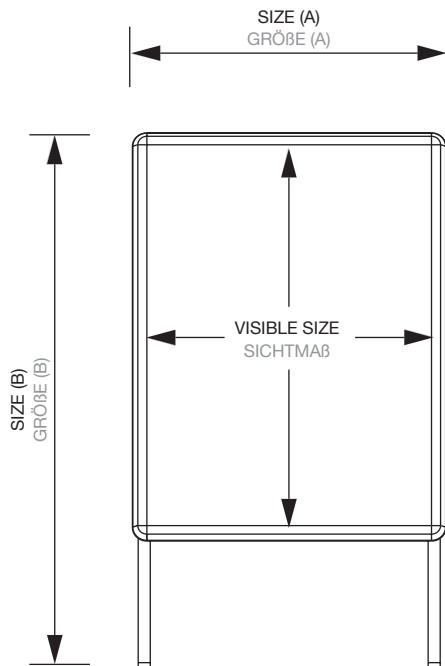


Article code	EAN / GTIN	Poster size	Visible size	Size (A x B x C)	Net weight
Artikelcode	EAN / GTIN	Plakatformat	Sichtmaß	Größe (A x B x C)	Netto Gewicht
ZPA2G32ME	8595578304725	A2 (420 x 594 mm)	402 x 576 mm	465 x 999 x 683 mm	4,51 kg
ZPA1G32ME	8595578304732	A1 (594 x 841 mm)	576 x 823 mm	639 x 1094 x 744 mm	9,20 kg
ZPA0G32ME	8595578304749	A0 (841 x 1189 mm)	823 x 1171 mm	886 x 1380 x 925 mm	15,35 kg
ZP50x70G32ME	8595578304756	500 x 700 mm	482 x 682 mm	545 x 999 x 744 mm	6,64 kg
ZP70x100G32ME	8595578304763	700 x 1000 mm	682 x 982 mm	745 x 1380 x 925 mm	10,68 kg

Article code	Packing size	Packing weight	Pcs / Pallet	Weight of pallet	Volumetric weight	UPS ratio (Belt size)	Shipping
Artikelcode	Verpackungsgröße	Versandgewicht	Stck / Palette	Paletten-gewicht	Volumen-gewicht	UPS Koeffizient (Gurtmaß)	Versandart
ZPA2G32ME	521 x 1076 x 124 mm	6,15 kg	20	147 kg	13,90 kg	2366 mm	UPS
ZPA1G32ME	695 x 1196 x 124 mm	11,14 kg	20	247 kg	20,61 kg	2834 mm	UPS
ZPA0G32ME	948 x 1495 x 124 mm	19,26 kg	6	140 kg	35,15 kg	3639 mm	other
ZP50x70G32ME	601 x 1076 x 124 mm	8,45 kg	20	193 kg	16,04 kg	2526 mm	UPS
ZP70x100G32ME	807 x 1495 x 124 mm	13,55 kg	9	146 kg	29,92 kg	3357 mm	other

**32 mm PROFILE A-BOARD / RONDO CORNER**

Pavement Signs | A-Boards



ANTI GLARE FRONT 0.5mm  
ANTIREFLEXFOLIE 0,5 mm

METAL BACKWALL 0.5mm  
METALLRÜCKWAND 0,5 mm

**ACCESSORIES  
ZUBEHÖR**



## 32 mm PROFILE A-BOARD / RONDO CORNER

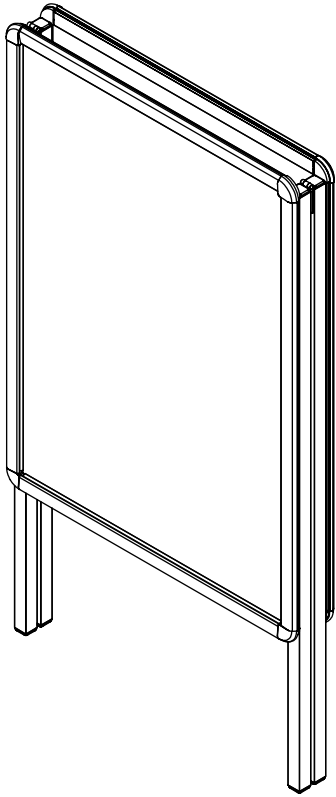
Pavement Signs | A-Boards



Article code	EAN / GTIN	Poster size	Visible size	Size (A x B x C)	Net weight
Artikelcode	EAN / GTIN	Plakatformat	Sichtmaß	Größe (A x B x C)	Netto Gewicht
ZPA2R32ME	8595578304848	A2 (420 x 594 mm)	402 x 576 mm	465 x 1025 x 683 mm	5,83 kg
ZPA1R32ME	8595578304855	A1 (594 x 841 mm)	576 x 823 mm	639 x 1120 x 744 mm	8,66 kg
ZPA0R32ME	8595578304862	A0 (841 x 1189 mm)	823 x 1171 mm	886 x 1406 x 925 mm	15,10 kg
ZP50x70R32ME	8595578304879	500 x 700 mm	482 x 682 mm	545 x 1120 x 744 mm	6,39 kg
ZP70x100R32ME	8595578304886	700 x 1000 mm	682 x 982 mm	745 x 1406 x 925 mm	10,23 kg
ZP100x140R32ME	8595578304893	1000 x 1400 mm	982 x 1382 mm	1045 x 1568 x 1028 mm	20,07 kg

Article code	Packing size	Packing weight	Pcs / Pallet	Weight of pallet	Volumetric weight	UPS ratio (Belt size)	Shipping
Artikelcode	Verpackungsgröße	Versandgewicht	Stck / Palette	Paletten-gewicht	Volumen-gewicht	UPS Koeffizient (Gurtmaß)	Versandart
ZPA2R32ME	521 x 1076 x 124 mm	8,79 kg	20	200 kg	13,90 kg	2366 mm	UPS
ZPA1R32ME	695 x 1196 x 124 mm	10,60 kg	20	236 kg	20,61 kg	2834 mm	UPS
ZPA0R32ME	948 x 1495 x 124 mm	19,02 kg	6	139 kg	35,15 kg	3639 mm	other
ZP50x70R32ME	601 x 1076 x 124 mm	8,20 kg	20	188 kg	16,05 kg	2526 mm	UPS
ZP70x100R32ME	807 x 1495 x 124 mm	13,10 kg	9	142 kg	29,92 kg	3357 mm	other
ZP100x140R32ME	1107 x 1665 x 124 mm	24,95 kg	6	174 kg	45,71 kg	4127 mm	other

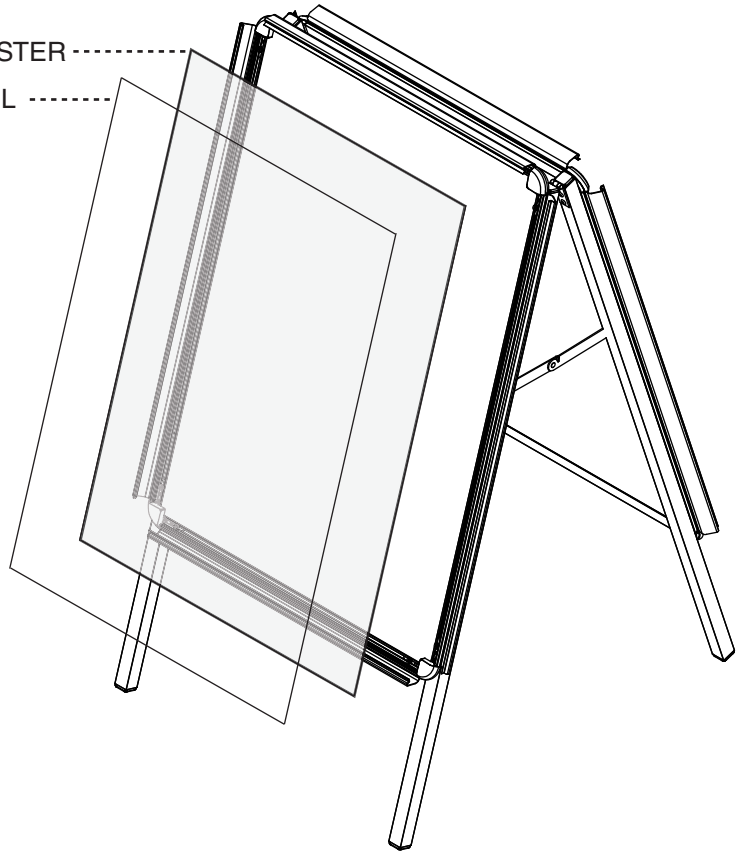
**1**



**2**

POSTER .....

FOIL .....



**3**

