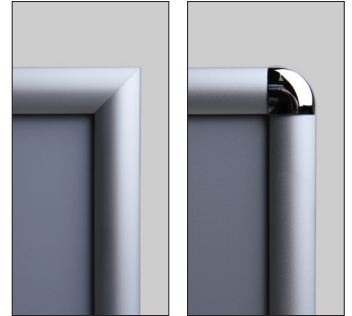


25 mm profile Indoor A-Board

PAVEMENT SIGNS > A BOARDS



25 mm profile Indoor A-Board

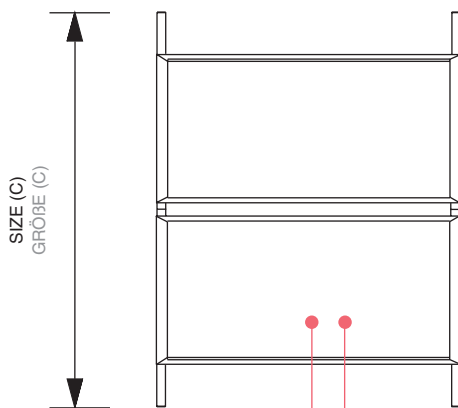
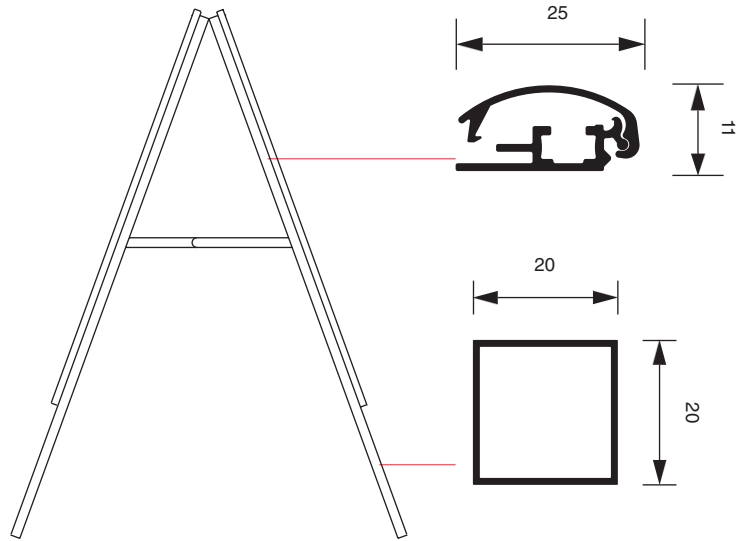
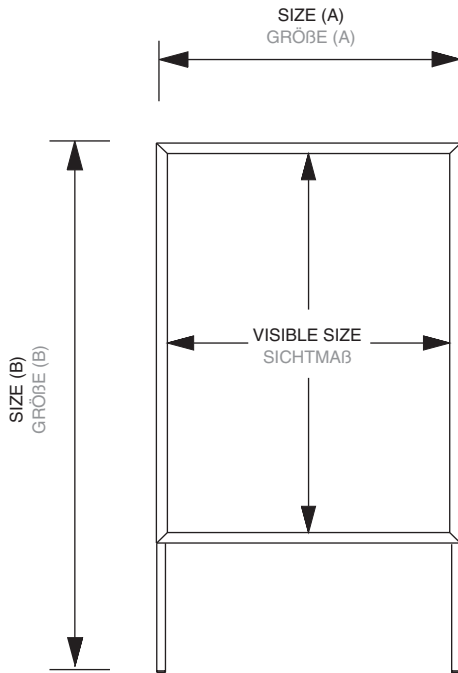
Double sided A-Board for indoor or covered area use. Reduced weight design with 20mm square legs, 25mm snap frames. Shock resistant grey PS back walls and UV- stable anti glare front sheets. Suitable for sheltered and less windy applications.

Kundenstopper Indoor

Doppelseitiger Kundenstopper. Sehr stabil mit 20x20 mm starkem Standprofil und zwei aufmontierten 25mm Klapprahmen mit schlagfester, grauer PS - Rückwand. Durch das verringerte Gewicht leicht zu transportieren.

25 mm profile Indoor A-Board / mitred corner

PAVEMENT SIGNS > A BOARDS



ANTI GLARE FRONT 0,5mm
ANTIREFLEXFOLIE 0,5mm

BACKWALL 3 mm AKYPLAC
RÜCKWAND 3 mm AKYPLAC

ACCESSORIES
ZUBEHÖR



(SETZP)
WRITING SET
SCHREIBTAFEL-SET

(LHZP)
LEAFLET BASKET
PROSPEKTKORB



25 mm profile Indoor A-Board / mitred corner

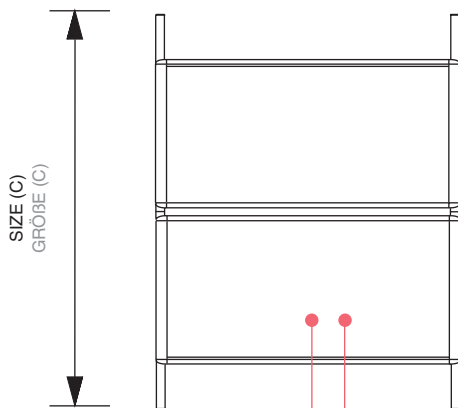
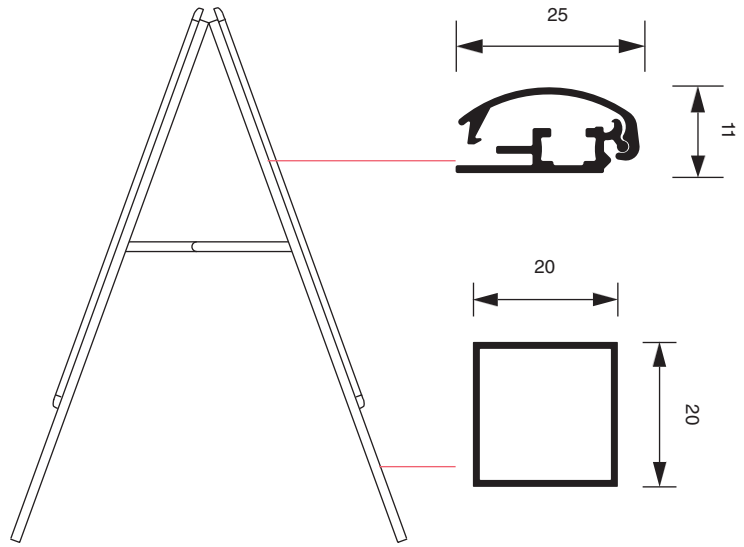
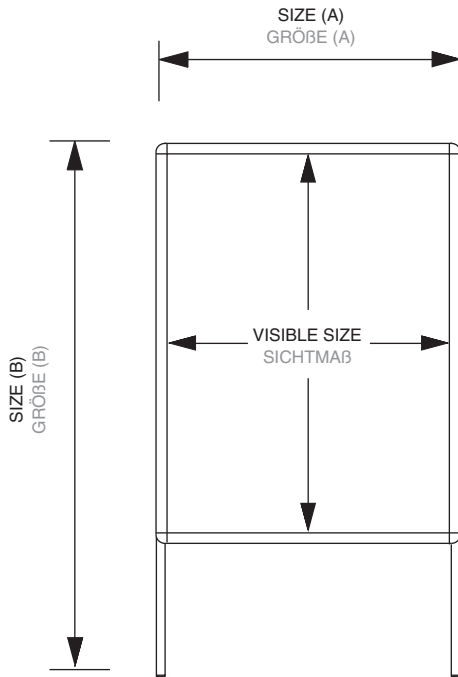
PAVEMENT SIGNS > A BOARDS

ARTICLE CODE	EAN / GTIN	POSTER SIZE	VISIBLE SIZE	SIZE (A x B x C)	NET WEIGHT
ARTIKELCODE	EAN / GTIN	PLAKATFORMAT	SICHTMAß	GRÖßE (A x B x C)	NETTO GEWICHT
ZPA2G25 <input type="checkbox"/>	8595578305296	420 x 594 mm (A2)	400 x 574 mm	451 x 980 x 674 mm	3,33 kg
ZPA1G25 <input type="checkbox"/>	8595578305302	594 x 841 mm (A1)	574 x 821 mm	625 x 1075 x 736 mm	4,87 kg
ZP50x70G25 <input type="checkbox"/>	8595578305319	500 x 700 mm	480 x 680 mm	531 x 980 x 674 mm	4,07 kg
ZP70x100G25 <input type="checkbox"/>	8595578305326	700 x 1000 mm	680 x 980 mm	731 x 1361 x 917 mm	6,14 kg
ZPA3G25MH <input type="checkbox"/>	8595578350494	297 x 420 mm (A3)	400 x 277 mm	579 x 427 x 427 mm	2,37 kg

ARTICLE CODE	PACKING SIZE	PACKING WEIGHT	PCS / PALLET	WEIGHT OF PALLET	VOLUMETRIC WEIGHT	BELT SIZE	SHIPPING
ARTIKELCODE	VERPACKUNGS- GRÖßE	VERSAND- GEWICHT	STCK / PALETTE	PALETTEN- GEWICHT	VOLUMEN- GEWICHT	GURTMAB	VERSANDART
ZPA2G25	521 x 1076 x 124 mm	6,63 kg	20	153 kg	13,90 kg	2366 mm	UPS
ZPA1G25	695 x 1196 x 124 mm	8,45 kg	20	189 kg	20,61 kg	2834 mm	UPS
ZP50x70G25	601 x 1076 x 124 mm	7,52 kg	20	171 kg	16,03 kg	2526 mm	UPS
ZP70x100G25	807 x 1495 x 124 mm	10,66 kg	10	127 kg	29,92 kg	3357 mm	TOF
ZPA3G25MH	362 x 632 x 122 mm	3,18 kg	54	192 kg	5,58 kg	1600 mm	UPS

25 mm profile Indoor A-Board / rondo corner

PAVEMENT SIGNS > A BOARDS



ANTI GLARE FRONT 0,5mm
ANTIREFLEXFOLIE 0,5mm

BACKWALL 3 mm AKYPLAC
RÜCKWAND 3 mm AKYPLAC

ACCESSORIES ZUBEHÖR



(SETZP)
WRITING SET
SCHREIBTAFEL-SET

(LHZP)
LEAFLET BASKET
PROSPEKTKORB



25 mm profile Indoor A-Board / rondo corner

PAVEMENT SIGNS > A BOARDS

ARTICLE CODE	EAN / GTIN	POSTER SIZE	VISIBLE SIZE	SIZE (A x B x C)	NET WEIGHT
ARTIKELCODE	EAN / GTIN	PLAKATFORMAT	SICHTMAß	GRÖßE (A x B x C)	NETTO GEWICHT
ZPA2R25	8595578305388	420 x 594 mm (A2)	400 x 574 mm	451 x 1006 x 674 mm	3,39 kg
ZPA1R25	8595578305395	594 x 841 mm (A1)	574 x 821 mm	625 x 1101 x 736 mm	4,79 kg
ZP50x70R25	8595578305401	500 x 700 mm	480 x 680 mm	531 x 1006 x 674 mm	4,00 kg
ZP70x100R25	8595578305418	700 x 1000 mm	680 x 980 mm	731 x 1387 x 917 mm	6,07 kg

ARTICLE CODE	PACKING SIZE	PACKING WEIGHT	PCS / PALLET	WEIGHT OF PALLET	VOLUMETRIC WEIGHT	BELT SIZE	SHIPPING
ARTIKELCODE	VERPACKUNGS- GRÖßE	VERSAND- GEWICHT	STCK / PALETTE	PALETTEN- GEWICHT	VOLUMEN- GEWICHT	GURTMAß	VERSANDART
ZPA2R25	521 x 1076 x 124 mm	6,57 kg	20	152 kg	13,90 kg	2366 kg	UPS
ZPA1R25	695 x 1196 x 124 mm	8,27 kg	20	186 kg	20,61 kg	2834 kg	UPS
ZP50x70R25	601 x 1076 x 124 mm	7,34 kg	20	167 kg	16,04 kg	2526 kg	UPS
ZP70x100R25	807 x 1495 x 124 mm	10,48 kg	10	125 kg	29,92 kg	3357 kg	TOF