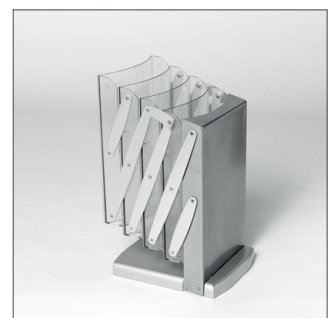
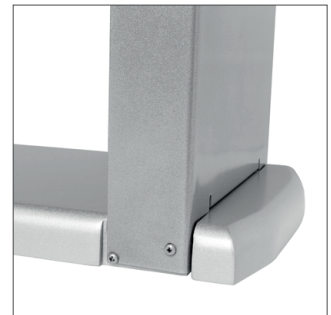


BROCHURE HOLDER DELUXE

Poster and Menu Stands | Leaflet and Catalogue Holders



BROCHURE HOLDER DELUXE

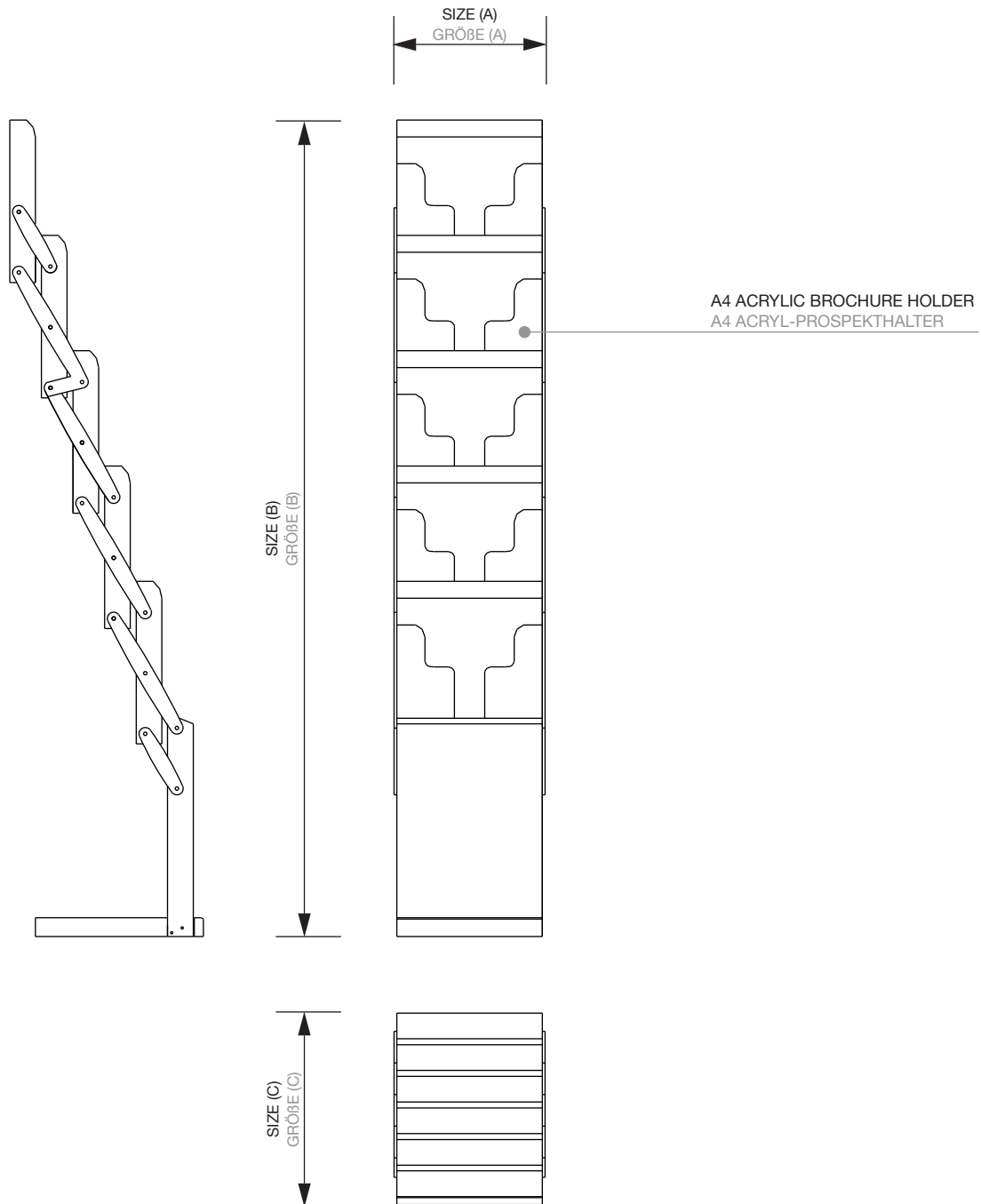
• Extremely stable brochure holder that occupies minimal space • Transparent acrylic holders • Reinforced padded bag with zipper

PROSPEKTSTÄNDER DELUXE

• Sehr stabiler Prospekthalter, der nur wenig Platz einnimmt • Transparente Acryl-Halter • Verstärkte gepolsterte Tasche mit Reißverschluss

BROCHURE HOLDER DELUXE

Poster and Menu Stands | Leaflet and Catalogue Holders



BROCHURE HOLDER DELUXE

Poster and Menu Stands | Leaflet and Catalogue Holders



| Article code | EAN / GTIN | Capacity | Size (A x B x C) | Net weight |
|--------------|---------------|-----------|---------------------|---------------|
| Artikelcode | EAN / GTIN | Kapazität | Größe (A x B x C) | Netto Gewicht |
| BHL | 8596052085970 | 4x A4 | 240 x 1560 x 290 mm | 6,80 kg |

| Article code | Packing size | Packing weight | Pcs / Pallet | Weight of pallet | Volumetric weight | UPS ratio (Belt size) | Shipping |
|--------------|--------------------|----------------|----------------|------------------|-------------------|---------------------------|------------|
| Artikelcode | Verpackungsgröße | Versandgewicht | Stck / Palette | Paletten-gewicht | Volumen-gewicht | UPS Koeffizient (Gurtmaß) | Versandart |
| BHL | 340 x 540 x 330 mm | 8,00 kg | 18 | 164 kg | 12,11 kg | 1880 mm | UPS |