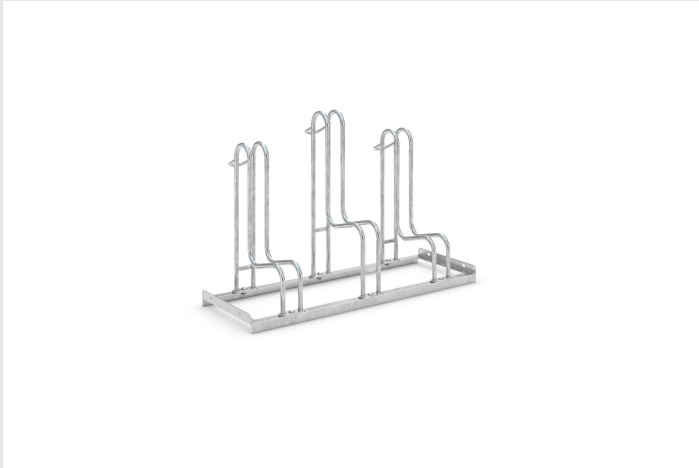


4053

Space-saving parking system with very high parking hoops & two to twelve parking spaces for extra-wide bikes with up to 55 mm wide tyres for self-assembly.

Article no.	Width	Height	Depth
105800003	1.050 mm	720 mm	390 mm



Technische Daten

EAN	4250366514710
Colour	Silver
Advertising area	no
Setting angle	90° straight
Pipe diameter	18 mm
Construction	Screwed / assembly kit
Mounting type	On the floor
Surface finish	Galvanised
Parking	To park
Weight	13.8 kg
No. of spaces	3
Sides	One-sided

Discover product at: <https://www.wsm.eu/en/product/4053/>

Create secure parking space on bicycle paths and MTB trails with the Stand Parker 4000. Bikes with up to 55 mm tyre width can park here comfortably, supported by the exceptionally high hoops to which bicycle locks can also be attached. Valuable space is saved through height-offset parking or, if desired, double-sided access. Simply unpack and assemble according to the instructions provided. Ground anchors and mounting brackets are available as accessories.

We don't guarantee the accuracy or completeness of the provided information or images.